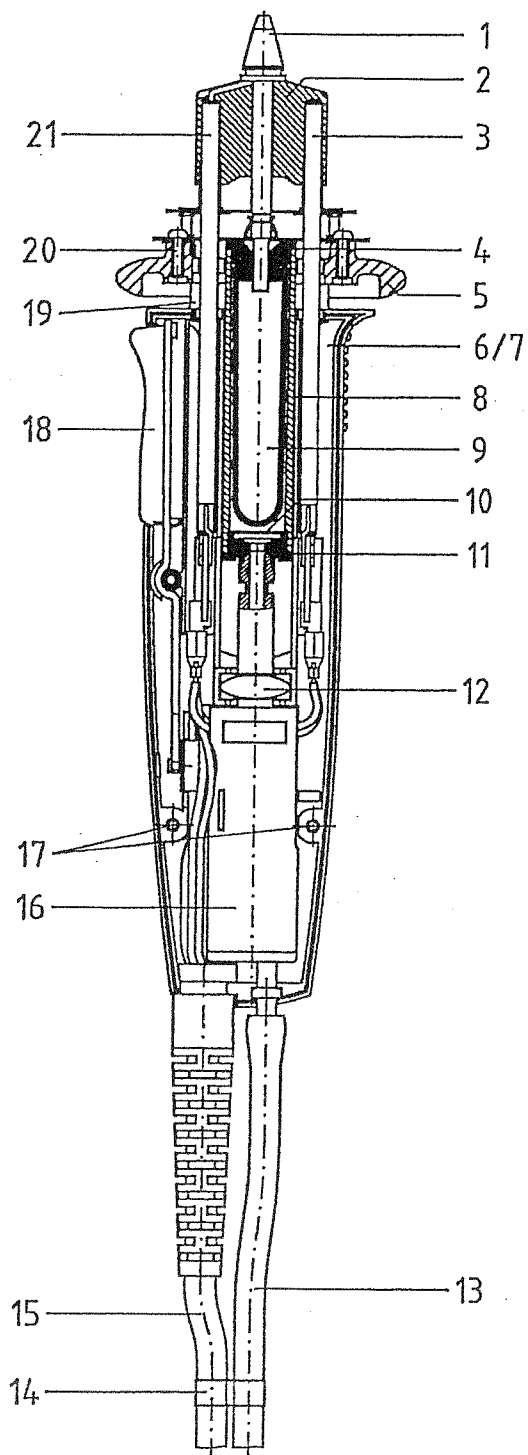


TYPE: ERSAX TOOL

PART-NR.: 0720ENJ

POS.	DESIGNATION	PART NUMBER	QUANTITY
------	-------------	-------------	----------



without handle body 2

0001	DESOLDERING TIP MODELS SEE CATALOG		
0002	DESOLDERING HEAD; COMPLETE	072400	1,00
0003	HEATING ELEMENT	072100J012	
0004	SEALING PLUG FRONT	3T7260-02	1,00
0005	HANDLE PROTECTION ANTISTATIC	3T7200-08	1,00
0006	HANDLE BODY 2 ANTISTATIC	3T7200-02	1,00
0007	HANDLE BODY 1 ANTISTATIC	3T7200-01	1,00
0008	SOLDER CONTAINER COMPL.	072600	1,00
0009	SOLDER COLLECTION FILTER CELLULOSE	3T7260-04	1,00
0010	FILTER WASHER	3T7260-05	1,00
0011	SEALING PLUG BACK	T7260-03	1,00
0012	LOCKING KNOB BLUE	3T7200-05	1,00
0013	SILICON HOSE ANTISTATIC	3SSIL3,0X000S	
0014	CABLE / TUBE CLAMP	3N111	1,00
0015	CONNECTING CABLE COMPLETE	3T7230-00	1,00
0016	STORAGE VALVE COMPLETE	3T7250-00	1,00
0017	LENTICULAR HEAD SCREW K25X7-TX6	3M25X007X1452	2,00
0018	RELEASE BUTTON COMPLETE	3YE1045-00	1,00
0019	LENTICULAR HEAD SCREW K25X9-TX6	3M25X009X1452	4,00
0020	LENTICULAR HEAD SCREW K25X8-TX6	3M25X0008Z1752	4,00
0021	HEATING ELEMENT WITH THERMOELEMENT	072100J011	