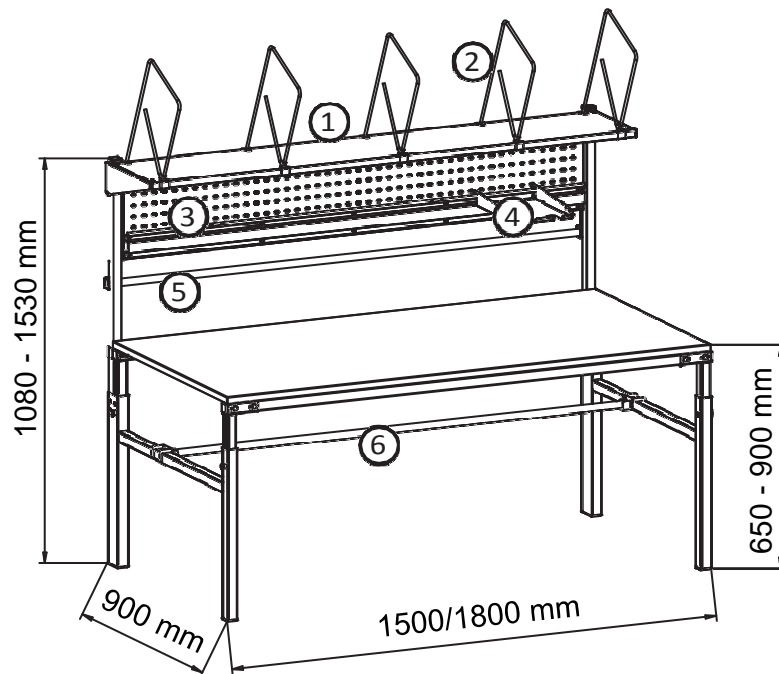


## TRESTON PACKING BENCH TPB915 AND ACCESSORIES

We have added new size TPB915 and accessories to our packing product range. TPB915 and TPB918 will replace old TPA –benches. Those benches and aluminium upright frames will be discontinued in September. Discontinued products are:

- TPA715
- TPA718
- TPA915
- TPA918
- ALX TPH150
- ALX TPH180

Size WxDxH mm	Max load kg	Code
900 x 1500 x 650-900	300	TPB915
900 x 1800 x 650-900	300	TPB918



Name	Description	Code TPB915	Code TPB918
1. Height adjustable upper steel shelf	Size 310 x 1500/1800 mm. Max load 30 kg. Fixing positions for Treston lighting units under the shelf.	SS150	SS180
2. Adjustable divider hoops	Five adjustable divider hoops (height 400 mm).	PDH	PDH
3. Height adjustable steel perforated panel with bin rail	Size of the panel 1419/1719 x 255 mm. For auxiliary steel shelves and stacking bins. Max load 20 kg.	PP150	PP180
4. Auxiliary steel shelf	Size 217 x 298 x 20 mm, for A4 paper and tape dispensers (max 2 pcs per shelf). Max load 3 kg.	ASSA4	ASSA4
5. Upper paper roll holder	Height adjustable. Axle diameter 25 mm. Max roll width 1400/1700 mm. Max load 40 kg.	PRH ROLL150	PRH ROLL180
6. Lower paper roll holder	Simply hangs on horizontal bars of legs. Depth adjustable. Axle diameter 25 mm. Max roll width 1350/1650 mm. Max load 40 kg.	PRHL ROLL150	PRHL ROLL180

Other new accessories for TPB915 are:

Name	Description	Size WxDxH mm	Code
Lowersteel shelf	Hangs on horizontal bars. Max load 30 kg.	1418 x 460	LSS150

Note! All accessories of TPH915 fit TPB915.

General info:

- The prices are available in pricelists.
- Products are already available in stock.
- Electronic version of the brochure 'Treston packing solutions' has been updated to DropBox and web sites. Paper versions will change in the next printing batch.
- For additional information, please contact customer service / sales sales@treston.com .