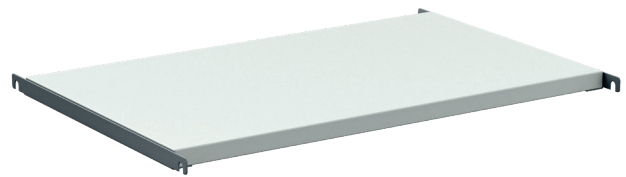


EXTRA SHELF FOR SAP TROLLEY

For our best-seller SAP-trolley there is now available also an extra shelf as an accessory.

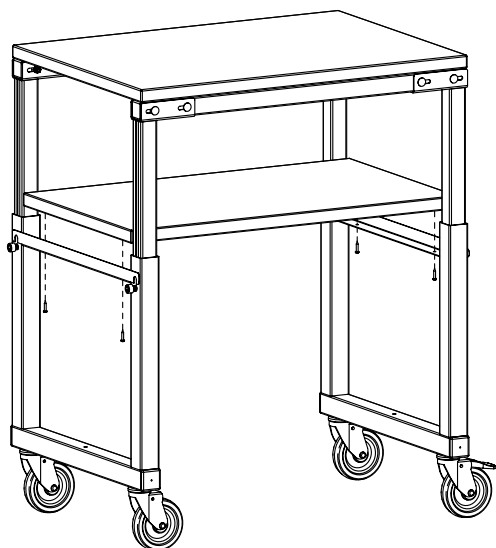


SAP trolley + AT lower shelf, LT extra shelf and PUSH handle LT507 / LT507 ESD and LT710 / LT710 ESD

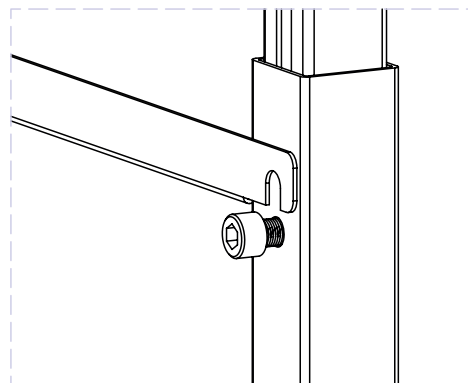
Item code	Description	EAN code
LT507	Extra shelf 700x500 for SAP trolley	6416763085750
LT507 ESD	Extra shelf ESD 700x500 for SAP trolley	6416763085767
LT710	Extra shelf 1000x700 for SAP trolley	6416763085774
LT710 ESD	Extra shelf ESD 1000x700 for SAP trolley	6416763085781

TECHNICAL INFORMATION

- LPL laminate / ESD laminate
- LT507/LT507 ESD shelf measurements: 700x418x25 mm
- LT710 / LT710 ESD shelf measurements: 1000x618x25 mm
- Loading capacity 40 kg
- Shelf brackets are powder-coated steel (RAL 7035).



SAP trolley and LT extra shelf



Brackets for the extra shelf are fixed to the trolley frame

ADDITIONAL INFORMATION

- New items are available as of 2.3.2020
- New items are already presented in the Ergonomics workspace catalogues (January 2020): <https://www.treston.com/catalogs/ergonomic-workspaces/91/#zoom=z>
- New items will be added to our website on 2.3.2020
- For more information, please kindly contact our Customer Service at ordersoy@treston.com